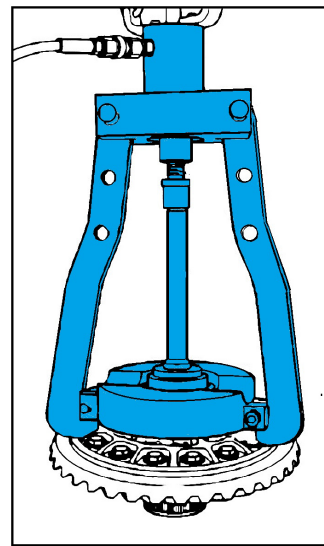
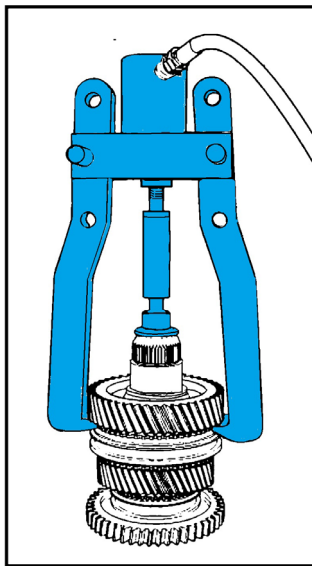


H.C.B-C1799

VOLVO GEARBOX BEARING REMOVAL MASTER KIT(18-TON HYDRAULIC)



- Formerly, engineers extracted bearings by destroying them, which could damage both the part and the shaft.
- Using this tool allows for easy bearing extraction without causing any damage to the parts.
- Capacity: 18 tons
- Stroke: 50 mm
- Application: Volvo FH12, FM12, FM9 truck (I-SHAFT)
- Gearbox : AT2412D, AT2612D, ATO2612D, AT2812D, ATO3112D
- VOLVO OEM no. ref.:... 9992621 / 9992671 / 9994731 / 9996413 / 9996454 / 9996498 / 9996499 / 9996500 / 9996602 / 9996603 / 9996635